

ray plus

Bartoli Design

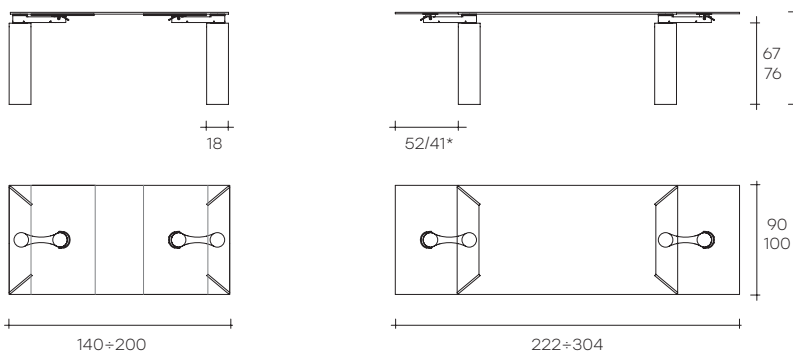
modello registrato
registered model



Tavolo allungabile con piano in vetro temperato da 15 mm, prolunghe indipendenti in vetro temperato da 12 mm lunghe 52/41* cm. Gambe smontabili in vetro curvo da 19 mm montate a filo del piano e braccio rotante in alluminio finitura brillantato con piastre in acciaio inox.

Extendible table with 15 mm-thick tempered glass top and independent extensions 12 mm-thick and 52/41* cm-long. Detachable legs in 19 mm-thick tempered curved glass, placed just under the top border. Rotating mechanism in aluminium, gloss finishing and stainless steel plates.

portata sul piano: 150 kg
portata sulla prolunga: 60 kg
load capacity on top: 150 kg
extension load capacity: 60 kg



DIMENSIONI _ DIMENSIONS

1710*

L 140 x P 90 x H 75 cm
L 55 1/8" x W 35 7/16" x H 29 1/2"

127 kg
165 kg
0,80

1712

L 160 x P 90 x H 75 cm
L 63" x W 35 7/16" x H 29 1/2"

140 kg
180 kg
0,85

1713

L 180 x P 90 x H 75 cm
L 70 7/8" x W 35 7/16" x H 29 1/2"

147 kg
190 kg
0,92

1714

L 200 x P 90 x H 75 cm
L 78 3/4" x W 35 7/16" x H 29 1/2"

154 kg
200 kg
0,98

1715

L 160 x P 100 x H 75 cm
L 63" x W 39 3/8" x H 29 1/2"

155 kg
210 kg
1,05

1716

L 180 x P 100 x H 75 cm
L 70 7/8" x W 39 3/8" x H 29 1/2"

162 kg
220 kg
1,12

1717

L 200 x P 100 x H 75 cm
L 78 3/4" x W 39 3/8" x H 29 1/2"

169 kg
230 kg
1,18

* Su lunghezza piano L 140
la prolunga è da 41 cm.

* For top's length L 140
the extension is 41 cm long.


GAMBE IN VETRO CURVATO
CURVED GLASS LEGS

 19 mm

PIANO IN VETRO TEMPERATO
TEMPERED GLASS TOP

 15 mm

ALLUNGHE IN VETRO TEMPERATO
TEMPERED GLASS EXTENSIONS

 12 mm



SD
Standard
Standard



EX
Extralight
Extralight
